

# PRODUCT CHANGE NOTIFICATION

## Optimization of Frame

Module Series Affected: YLxxxP-29b , YLxxxP-35b

June 6<sup>th</sup>, 2017 // PC17001B

### Introduction

Based on continuous improvement efforts, Yingli Solar is introducing changes to the Yingli Solar modules. These product changes apply to both IEC and UL certified product distributed globally.

### Descriptions

Yingli Solar is introducing modules with two optimized frames.

I . Applied to YLxxxP-29b series products: According to the internal cavity structure optimized, the length of upper limb and lower limb will be changed from 12mm, 32mm to 10mm, 35mm. optimized modules keep the excellent mechanical performance, the reliability of stability and also the characteristics of lightweight.

II . Applied to YLxxxP-35b series products: According to the internal cavity structure optimized, the length of upper limb and lower limb will be changed from 12mm, 32mm to 10mm, 35mm. The optimized modules keep the excellent mechanical performance and the reliability of stability. There has nothing changed with the electrical properties.

This product change does not involve the electrical properties of the module.

From the point of the installation and mechanical properties, it has the same installation schemes and the same mechanical properties for all the same type modules no matter it changed after or before. (Any packaging follows the change, below is just schematic diagram)



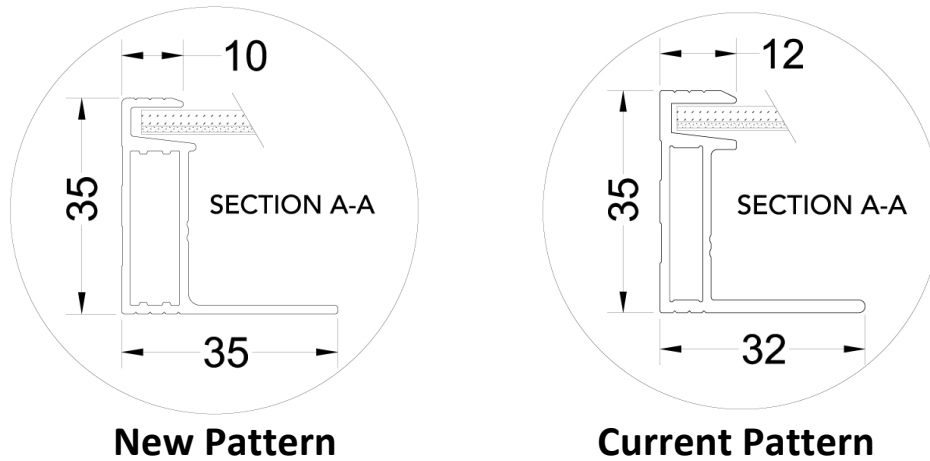


Figure 1: Detailed comparison of current and new frame design (close-up of I )

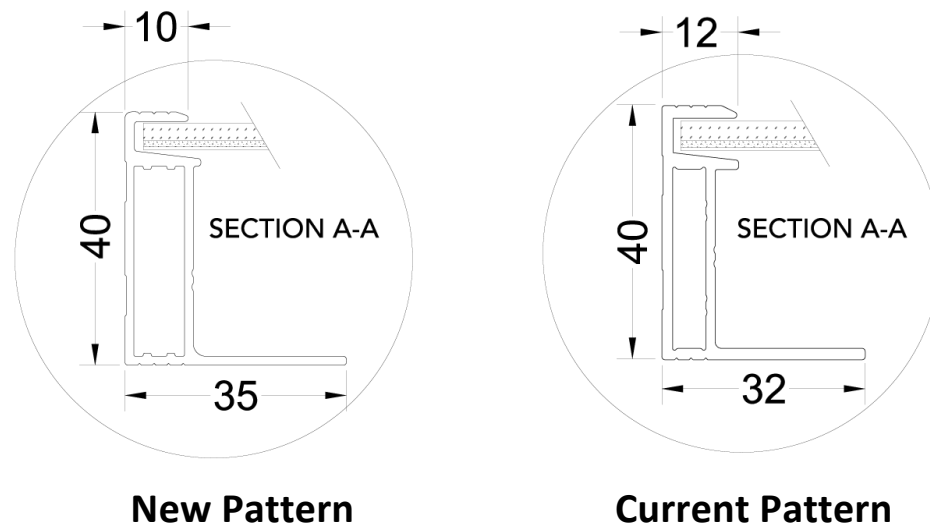


Figure 2: Detailed comparison of current and new frame design (close-up of II )

## Implementation

Yingli Solar has scheduled to implement the aforementioned changes in production at the beginning of July 2017, which means customers may receive shipments of new products as early as August 2017.

The specific transition timeline may vary among customers based on current and anticipated delivery schedules and will be communicated by your Yingli Solar sales account manager.

For technical questions relating to the new product features, please contact: [service@yingli.com](mailto:service@yingli.com). For all other inquiries, please contact your Yingli Solar sales account manager.